

2

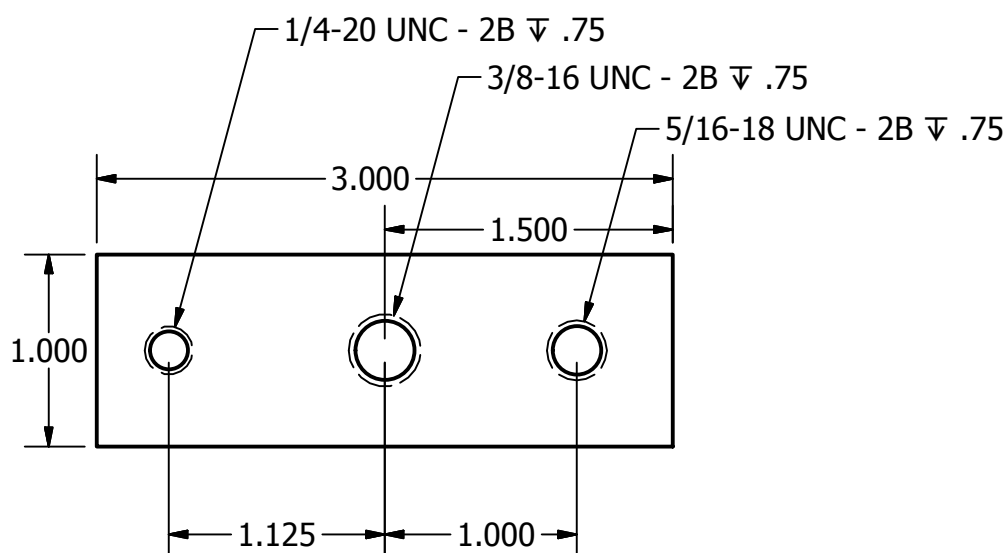
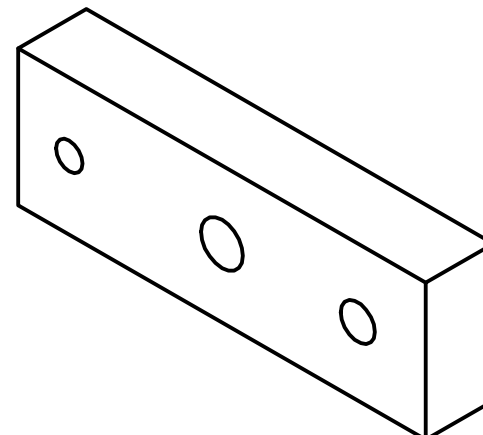
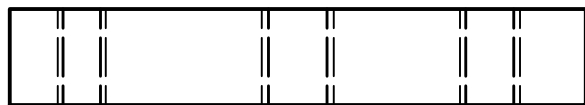
1

Physical Properties for machinshop project 1

General Properties:

Material: {Aluminum-6061}

Mass: 0.138 lbmass



.500



DRAWN rwidholm	9/20/2009	TITLE Machine Technology project 1		
CHECKED				
QA				
MFG				
APPROVED				
		SIZE A	DWG NO machinshop project 1	REV
		SCALE 1:1	SHEET 1 OF 1	

2

1